

# WATER BALANCE AND SOIL EROSION IN DIFFERENT LAND USES UNDER TROPICAL CONDITIONS

## BALANÇO HÍDRICO E EROÇÃO DE DIFERENTES USOS E COBERTURAS DO SOLO EM CONDIÇÕES TROPICAIS

**Jamil Alexandre Ayach Anache**

*PhD Student (Aluno de Doutorado)*

[jamil.anache@usp.br](mailto:jamil.anache@usp.br)

**Prof. Edson Wendland**

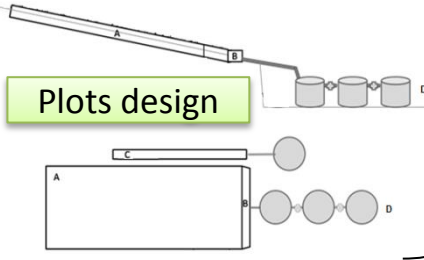
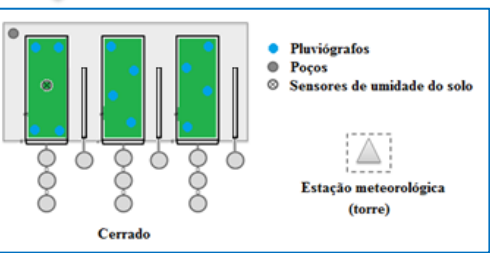
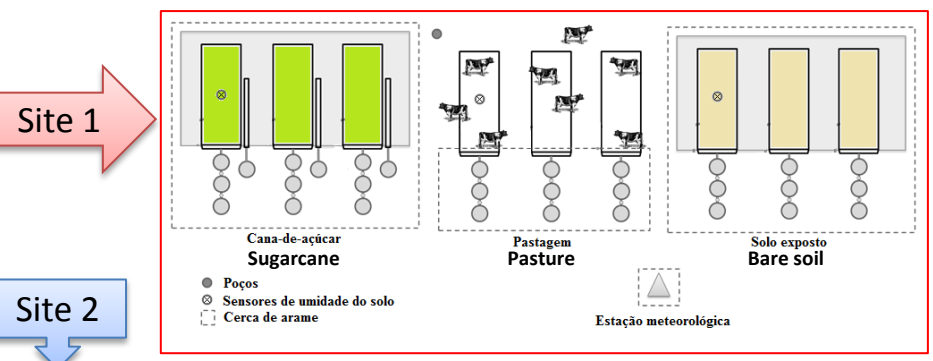
*Advisor (Orientador)*

[ew@sc.usp.br](mailto:ew@sc.usp.br)

### Objective

Develop a study concerning the water balance components and its relationships with soil erosion in experimental plots containing different land uses: cerrado, sugarcane, pasture and bare soil.

### Experimental scheme



### Project steps

- (i) meteorological variables, phreatic level, soil loss rates, runoff and others water balance components will be monitored inside experimental plots containing different land covers
- (ii) methods to measure water balance variables will be enhanced
- (iii) observed trends and relationships on data will be identified using statistical parameters
- (iv) the applicability of soil erosion prediction models for the different land covers under the tropical condition will be evaluated

